

Read this instruction carefully. See hardware and furniture part list for guidance. Be sure all parts are complete, before you assemble. Place all wooden furniture parts on a clean and flat soft surface to prevent from being scratched. Follow the figure to start assembling.

**CAUTION :** 1. Do not FULLY - TIGHTEN the nuts or nuts bolts until they are ready for assembly.  
 2. Do not OVER - TIGHTEN the nuts or bolts to avoid causing damages to the thread.  
 3. Keep all hardware parts out of reach of children.

**NOTE :** THE LIST AND QUANTITY SHOWN ARE FOR 1 UNIT ASSEMBLY.

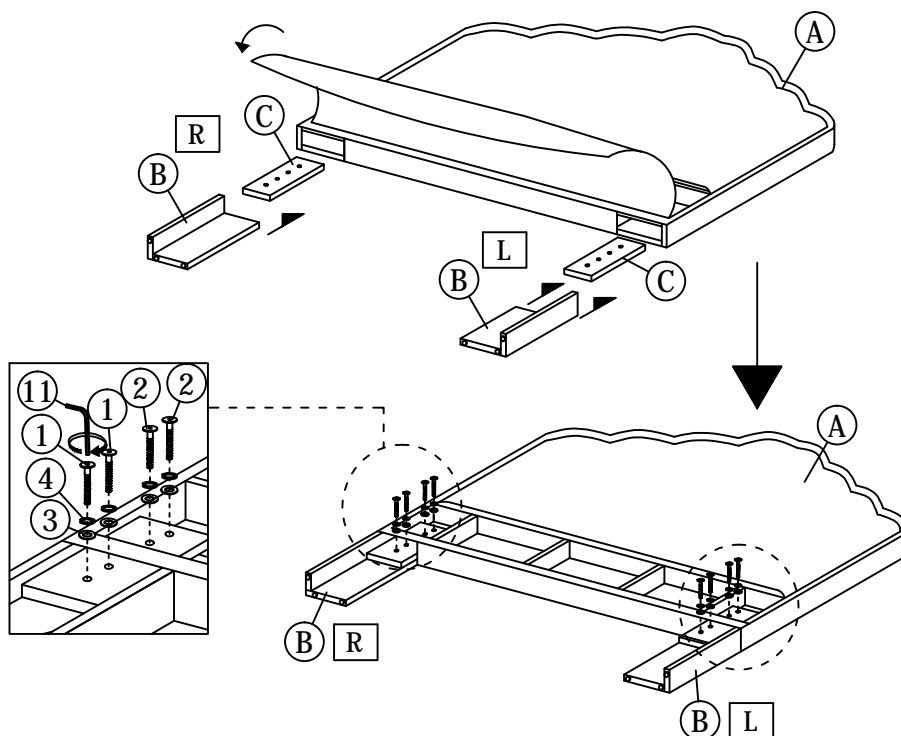
Tools needed : Screwdriver (not provided).

PART LIST		
ITEM	DESCRIPTION	QTY
A	HEADBOARD	1 PC
B	HEADBOARD LEG	2 PCS
C	HEADBOARD SUPPORT WOOD	2 PCS
D	HEADBOARD SUPPORT RAIL	1 PC
E	FOOTBOARD	1 PC
F	SIDE RAIL	2 PCS
G	BED LEG	2 PCS
H	CENTER RAIL	1 PC
I	CENTER SUPPORT LEG	3 PCS
J	CENTER SUPPORT WOOD	2 PCS
K	BED SLAT	24 PCS

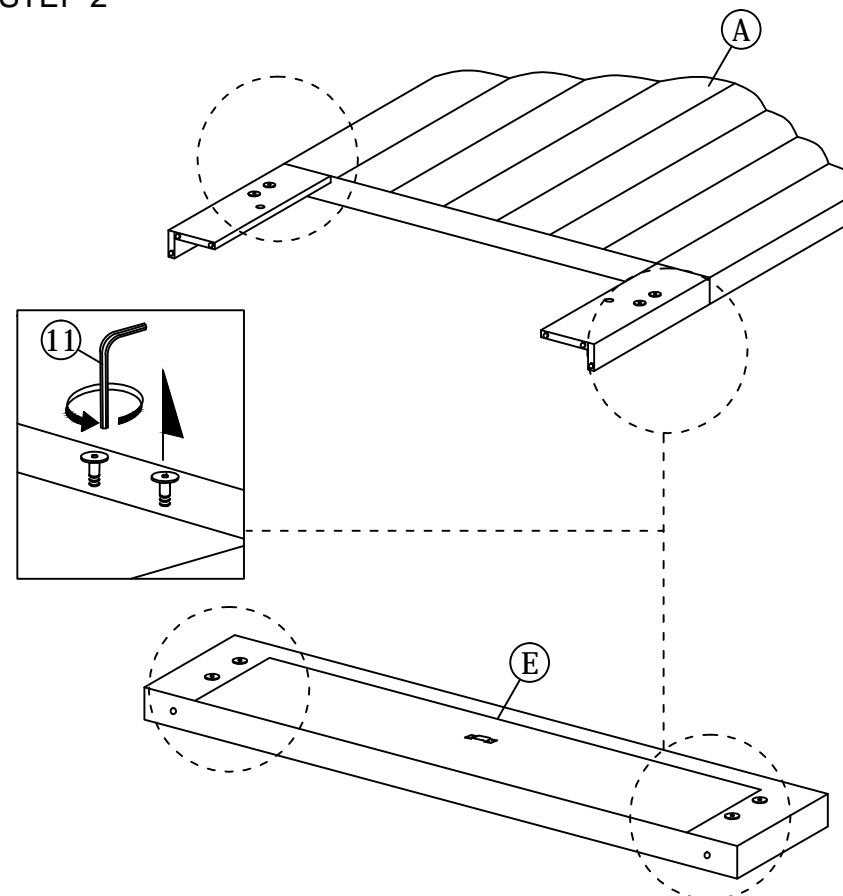
HARDWARE LIST		
ITEM	DESCRIPTION	QTY
1	JCBB BOLT M8 x 50mm	6 PCS
2	JCBB BOLT M8 x 60mm	4 PCS
3	M8 FLAT WASHER	10 PCS
4	M8 SPRING WASHER	10 PCS
5	WOOD SCREW M3.5 x 16mm	8 PCS
6	WOOD SCREW M4 x 20mm	2 PCS
7	WOOD SCREW M4 x 38mm	2 PCS
8	PVC BLACK WASHER	2 PCS
9	BED SLAT SIDE FITTER	24 PCS
10	BED SLAT CENTER FITTER	12 PCS
11	M5 ALLEN KEY (BALL SHAPE)	1 PC

## STEP 1

Take out HEADBOARD LEG (B) , HEADBOARD SUPPORT WOOD (C) & HEADBOARD SUPPORT RAIL (D) for the HEADBOARD BACK (A).

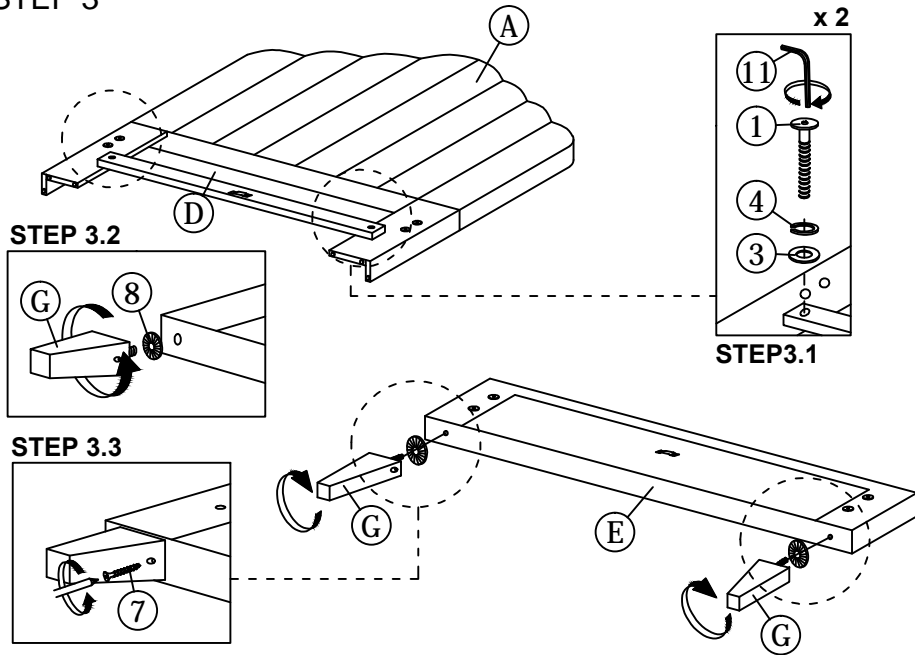


## STEP 2

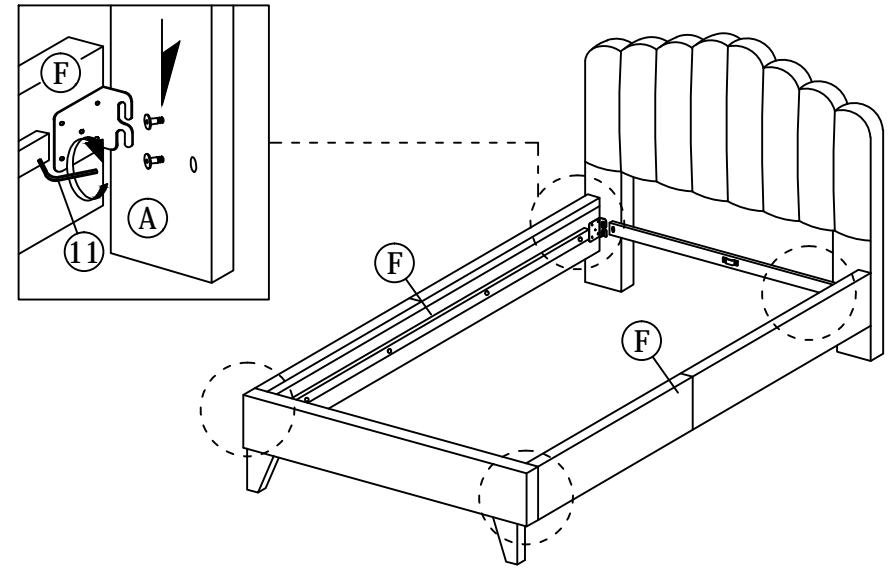


# ASSEMBLY INSTRUCTIONS

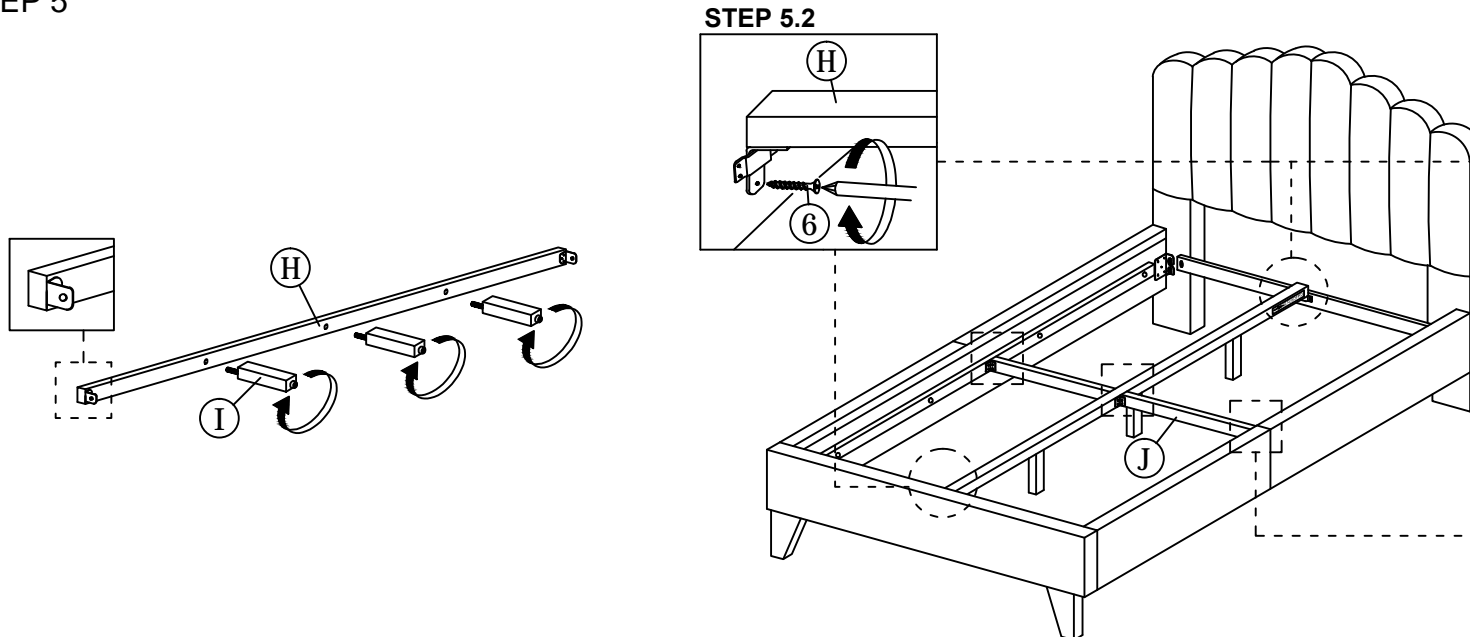
## STEP 3



## STEP 4



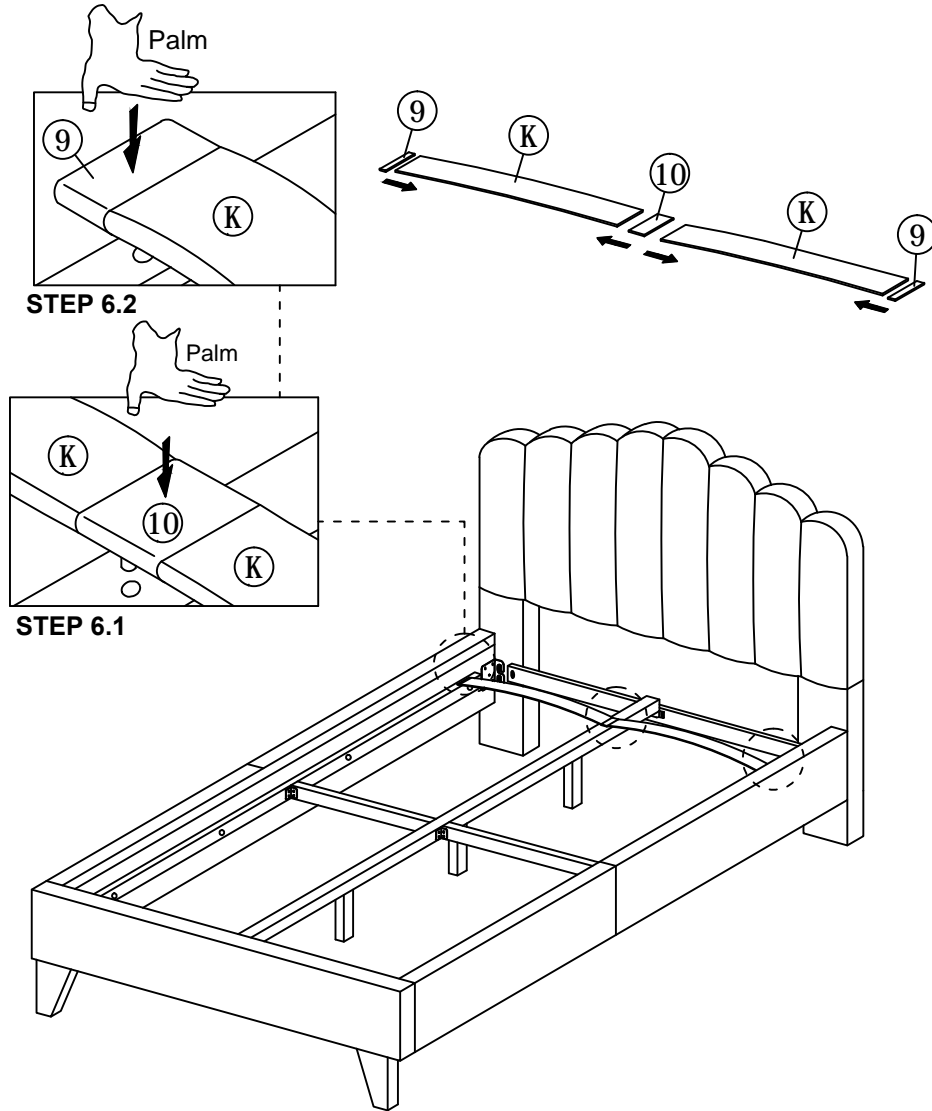
## STEP 5



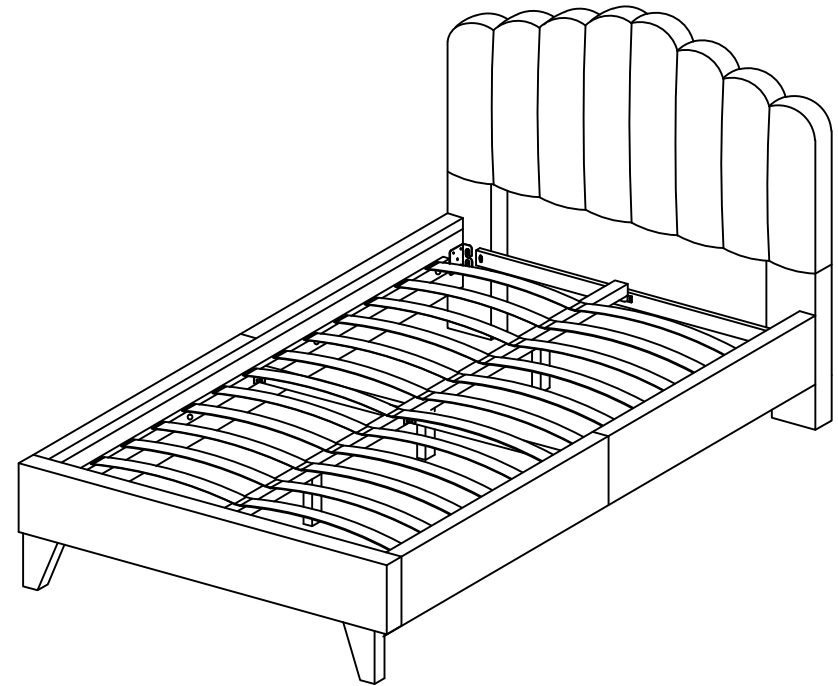
Note: Make sure the sticker  
"-> HEADBOARD" faced to  
headboard [A]

# ASSEMBLY INSTRUCTIONS

## STEP 6



## STEP 7



\* When moving the bed position, the center support legs must be adjusted or straightened to avoid any broken problems.